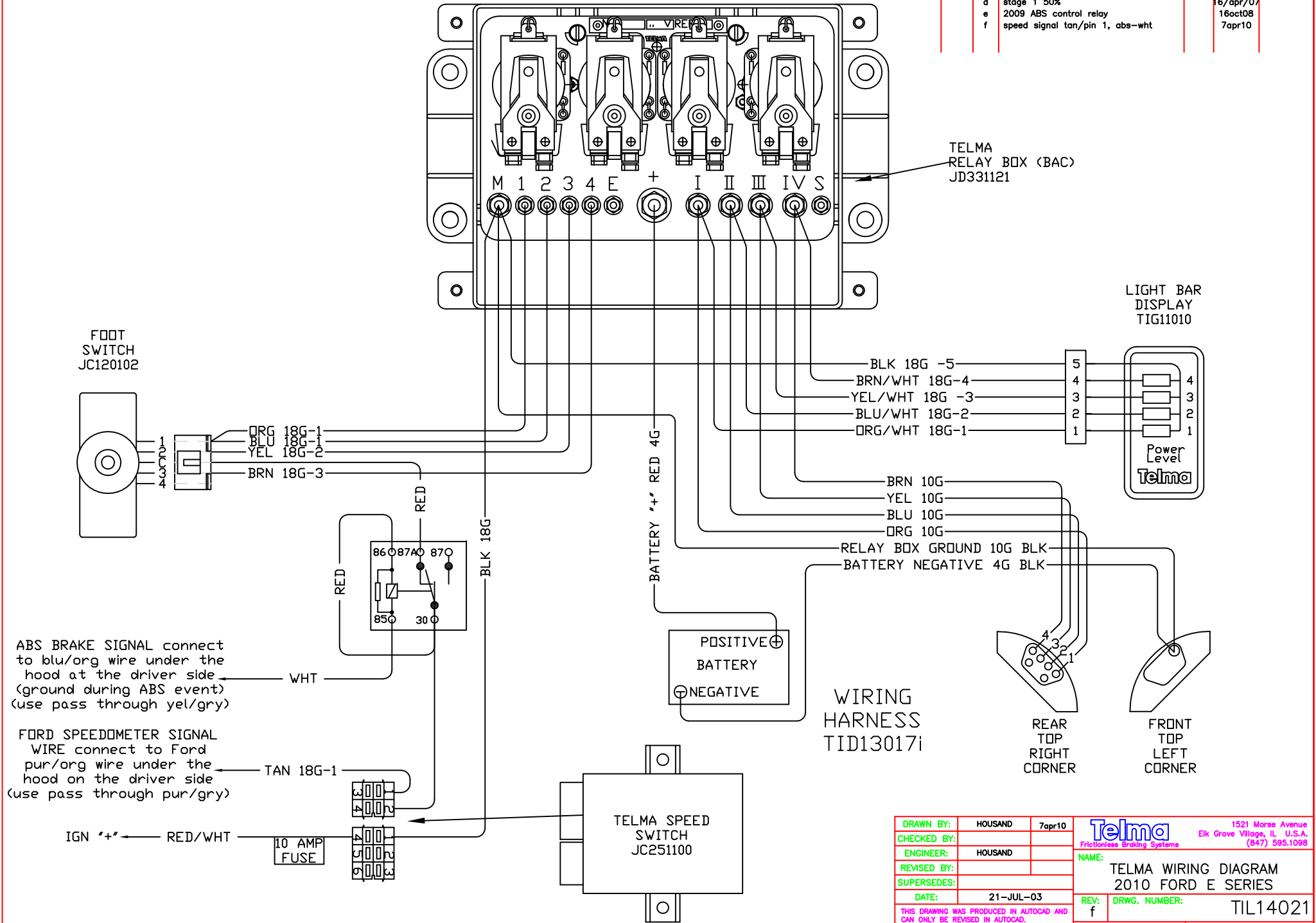


THIS DRAWING IS PROPRIETARY TO TELMA INC. RECEIPT OR POSSESSION CONFERS NO RIGHT TO USE THE SUBJECT MATTER OF THIS DRAWING OR TECHNICAL INFORMATION SHOWN; NOR THE RIGHT TO REPRODUCE THIS DRAWING OR ANY PART EXCEPT FOR THOSE SUPPLIERS OF TELMA INC. WHO RECEIVE A WRITTEN REQUEST FOR MANUFACTURE OR SIMILAR USE.

REVISIONS					
ZONE	LTR	DESCRIPTION	E.C.O.	DATE	APPROVAL
	c	2004 speed switch		25/jan/05	
	d	stage 1 50%		16/apr/07	
	e	2009 ABS control relay		16oct08	
	f	speed signal tan/pin 1, abs-wht		7apr10	



ABS BRAKE SIGNAL connect to blu/org wire under the hood at the driver side (ground during ABS event) (use pass through yel/gry)

FORD SPEEDOMETER SIGNAL WIRE connect to Ford pur/org wire under the hood on the driver side (use pass through pur/gry)

DRAWN BY:	HOUSAND	7apr10
CHECKED BY:		
ENGINEER:	HOUSAND	
REVISED BY:		
SUPERSEDES:		
DATE:	21-JUL-03	
THIS DRAWING WAS PRODUCED IN AUTOCAD AND CAN ONLY BE REVISED IN AUTOCAD. ANY MANUAL CHANGES DONE TO THIS DRAWING WILL BE IGNORED UNLESS AUTHORIZED.		

Telma 1521 Morse Avenue
Elk Grove Village, IL U.S.A.
(847) 595.1098

Frictionless Braking Systems

NAME: TELMA WIRING DIAGRAM
2010 FORD E SERIES

REV: f DRWG. NUMBER: TIL14021

SCALE: NTS SHEET: 1 OF 1