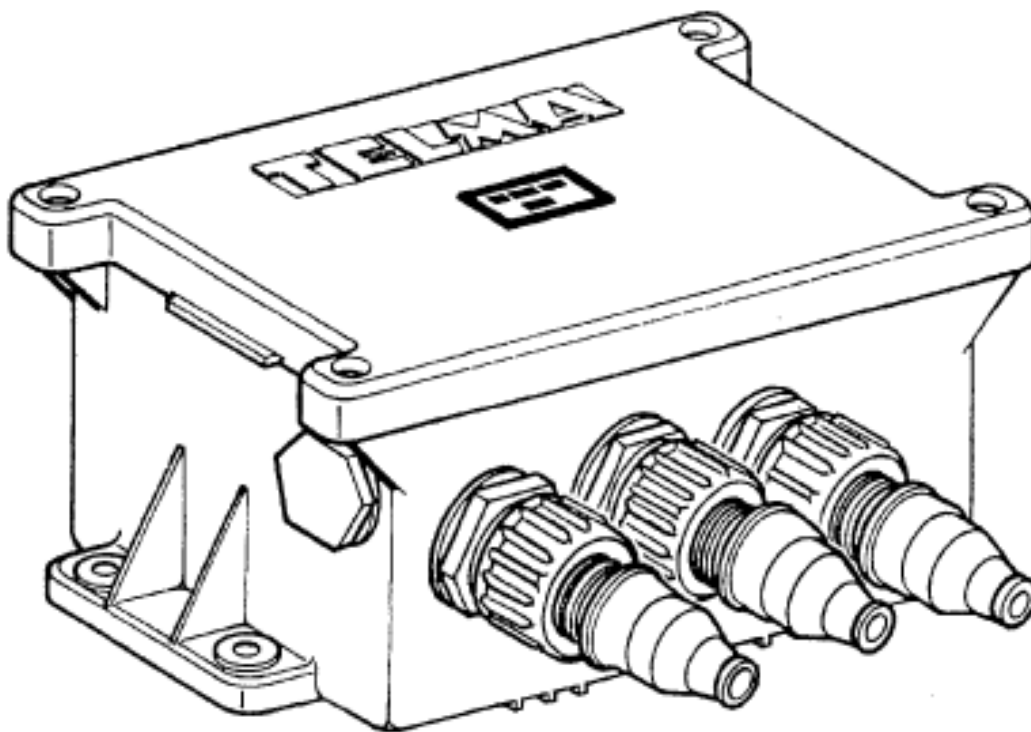


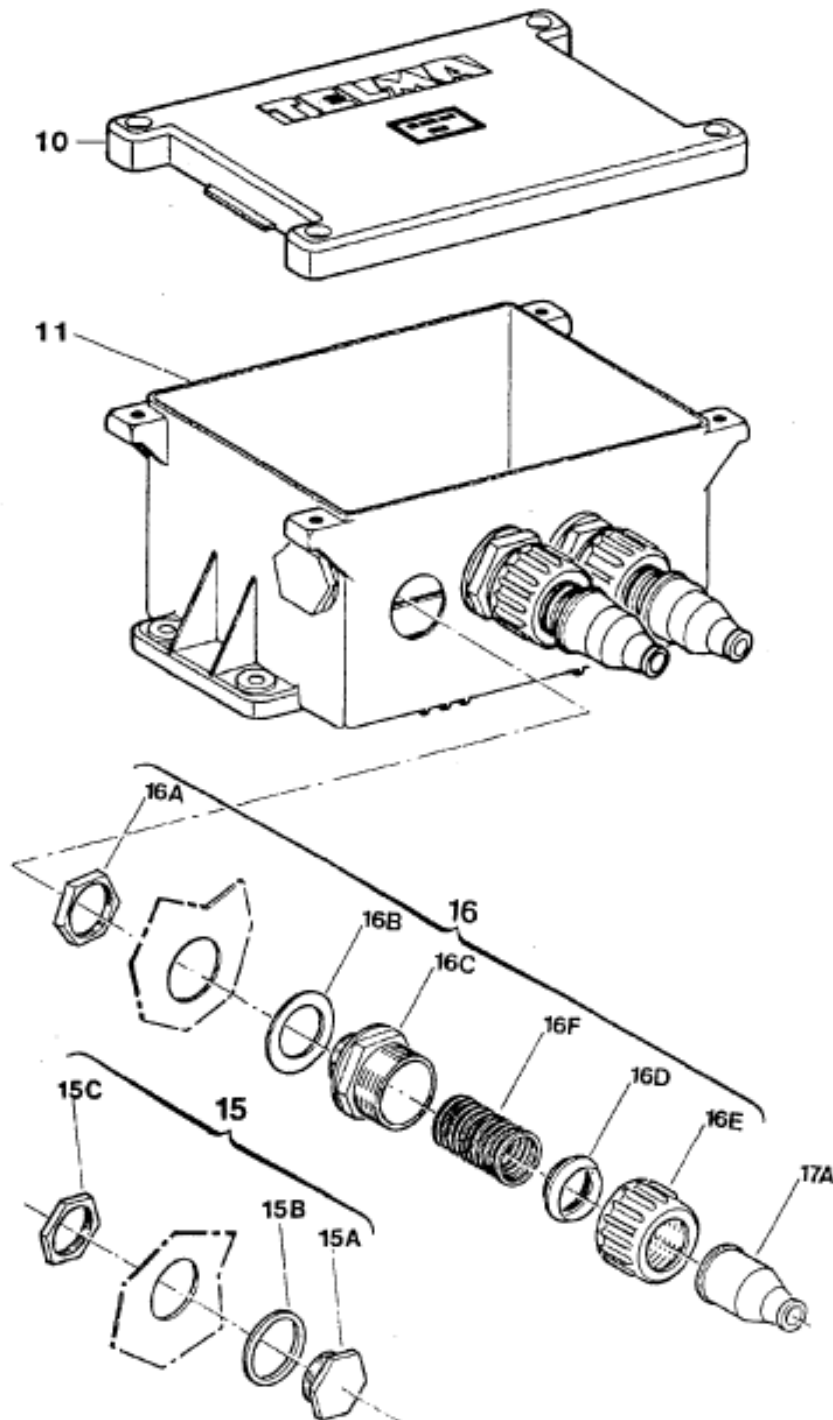
***SEALED RELAY BOX
With MOULDED CASE***



SPARE PARTS LIST

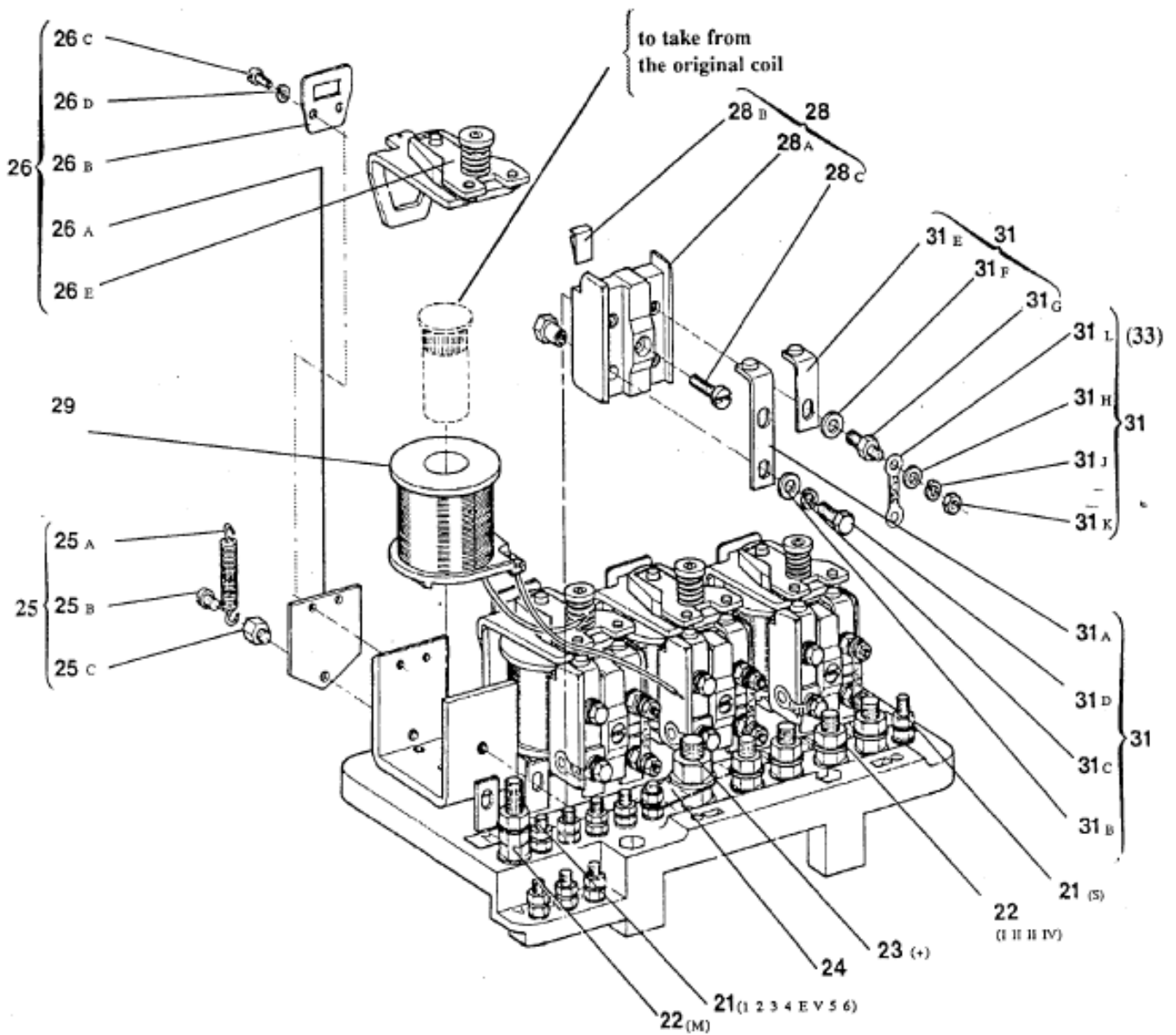
**OC441051
EDITION 02/90**

EXPLODED VIEW OF MOULDED CASE

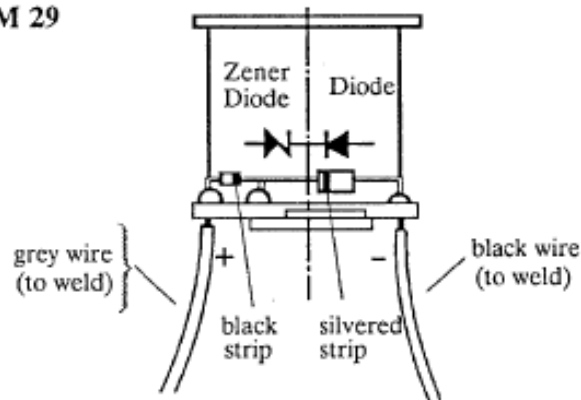


SEALED RELAY BOX TYPE JD33...121 ENCLOSURE PARTS			
ITEM	DESCRIPTION	QTY	PART NUMBER
10/11	Molded case assembly..... Including:	1	VB107042
10	Cover with screws	1	VB106947
11	Molded case	1	VB106948
15	Sealed plug assembly Including:	3	VD404590
15A	1 plug – 32mm across flats		
15B	1 flat seal		
15C	1 nut – 32mm across flats		
16	Sealed outlet assembly..... Including:	3	VD404600
16A	1 nut – 32mm across flats		
16B	1 flat seal		
16C	1 union – 32mm across flats		
16D	1 seal		
16E	1 gland nut		
16F	1 sleeve		
17	Rubber boots assembly..... Including:	1	VB201640
17A	3 rubber boots		
17B	6 cable ties		
17C	1 tube silicone sealer		

RELAY PLATE ASSEMBLY

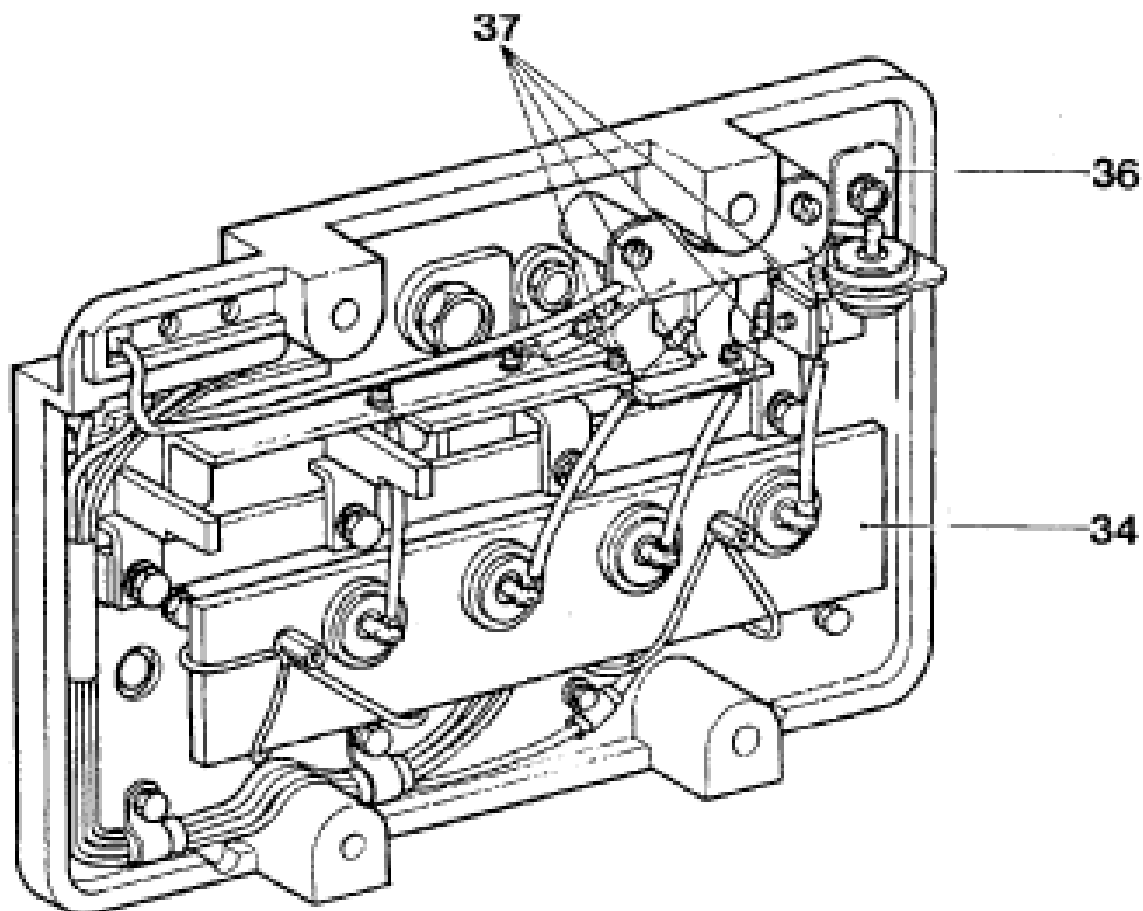


ITEM 29



Diodes and Zener diodes connection to coil terminal

UNDERSIDE of the RELAY PLATE
Index 121



SEALED RELAY BOX TYPE JD33...102/121 PARTS			
ITEM	DESCRIPTION	QTY	PART NUMBER
21	Set of 7 replacement terminals 1-2-3-4-E-S-V (M4x0.7) With washers and nuts (tightening torque 1.4Nm / 12in-lb)...	1	VB201720
22	Set of 5 replacement terminals I-II-1III-IV-M (M6x1.0) With washers and nuts (tightening torque 5Nm / 44in-lb)....	1	VB200700
23	Terminal "+" assembly (M8x1.25) With washers and nuts (tightening torque 12Nm / 106in-lb)..	1	VB200690
24	Shunt	1	VD501460
25	Set of 4 return springs with bolts and nuts..... Including:		VB200660
25A	4 return springs		
25B	4 special screws		
25C	4 hexagonal studs		
26	Moving contact assembly..... Including:	4	VD408210
26A	1 air-gap shim		
26B	1 contact guide		
26C	2 Ø3mmx0.5 slotted head screw (L-7mm)		
26D	2 lock washers WZ3		
26E	1 moving contact		
28	Fixed contact bracket assembly..... Including:	4	VD402630
28A	1 fixed contact bracket		
28B	1 air-gap shim		
28C	1 Ø4mmx0.7 slotted head screw (L=16mm)		
29	Spare coil assembly..... Including:	4	VD300398 12v VD300399 24v
	1 coil		
	1 diode		
	1 Zener diode		
30	Set of protective diodes..... Including:	1	VD407867
	4 diodes		
	4 Zener diodes		
31	Fixed contact assembly..... Including:	4	VD403580 (index 102 VD402700 & VD402710)
31A	1 long contact		
31B	2 flat washers ZN4		
31C	2 lock washers WZ4		
31D	2 Ø4mmx0.7 hex head screw (L=12mm)		
31E	1 short contact		
31F	2 star washers – Ø4mm		
31G	2 threaded studs		
31H	2 flat washers – Ø3.5mm		
31J	2 lock washers – Ø3.5mm		
31K	2 hex nuts – Ø3.5mm		
31L	1 fuse		
33	Set of 4 fuses.....	1	VD402730
34	Power diodes assembly		VD402740
36	Stop light diode assembly		VD407865
37	Set of 4 diodes (full warning)		VD407866